



RUBBER CUTTING EDGES

MOVE MORE RUBBISH & PROTECT YOUR CONCRETE FLOORS WITH OUR
RUBBER CUTTING EDGES ON YOUR EXCAVATOR & LOADER BUCKETS

Call **0800 654 323** for your rubber edge needs!



West-Trak

UNRIVALLED STRENGTH

RUBBER CUTTING EDGES

We stock a range of bolt-on, laminated Rubber Cutting Edges for all models of wheel loaders, excavators & skid steer loaders, working in the waste & recycling industry.

Rubber Edges are commonly used in transfer stations, recycling facilities, waste-to-energy plants & seed/grain storage buildings for moving material and to protect the concrete floors from wear & damage.

Our Rubber Edges are made in the USA from 100% recycled rubber tyres & are available in different profiles, lengths & ply types to suit most bucket sizes & applications.

Recycled rubber eliminates the need for using oil in the production process which reduces CO2 emissions & improves the carbon footprint for our customers.



Call **0800 654 323** to order your Rubber Cutting Edges **now!**



SPECIFICATIONS

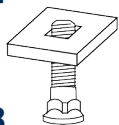
Radial Ply Rubber Edges

These are a steel belted rubber edge suited to harsh materials like steel, timber, glass, concrete & chemicals

Bias Ply Rubber Edges

These are a fabric belted rubber edge suited to soft/dry materials like paper, cardboard, plastics, seed, grain & hay

Steel Slide Washer



Grade 8 Plow Bolt

Steel Through Rods

Adjustable Bolt Size

Grade 8 plow bolts are used with a matching washer to suit any bolt size

Recycled Product

100% of the rubber in each edge is recycled from bus & truck tyres

Various Lengths

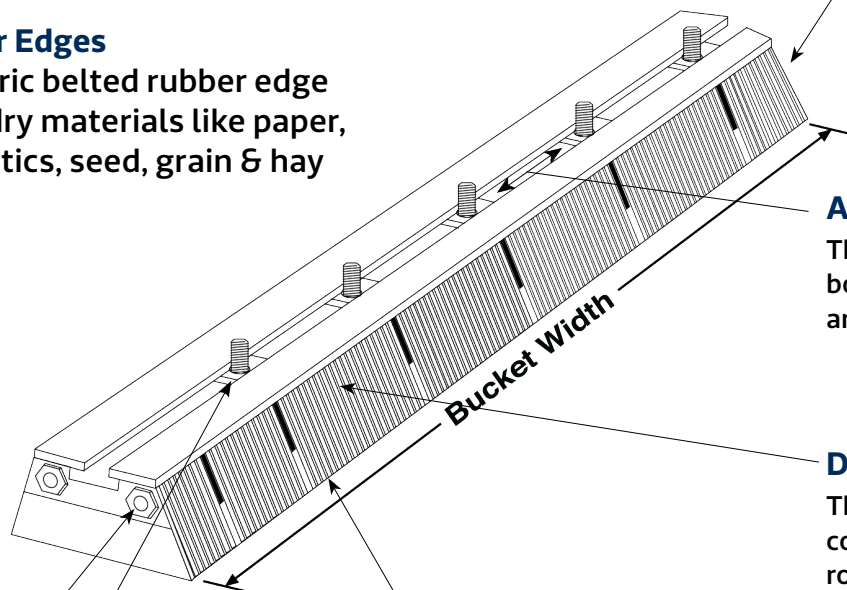
Edges are available in different lengths to suit most bucket widths

Adjustable Bolt Spacing

The T-Track channel allows the bolts to slide so they can suit any bolt spacing

Durable Performance

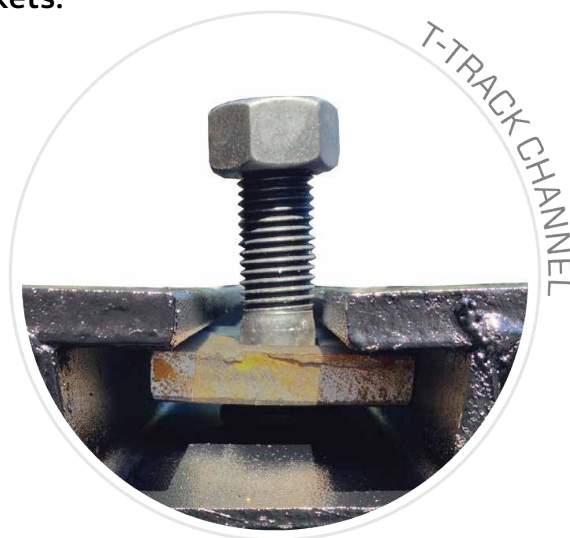
The rubber sections are compressed onto 32mm steel rods and secured every 305mm throughout the unit with flatbar retaining plates



EASY INSTALLATION

Our Rubber Edges are quick & easy to install on your buckets.

- Fit washers onto bolts, slide them into the T-Track channel & align with holes in the bucket moldboard
- Slowly lower the bucket or lift the edges up & fine-tune the alignment of the bolts as the edge gets closer to the bucket
- Once the bolts are through the bucket moldboard fit round washers & nuts and tighten to the correct bolt torque settings
- For optimal wear life & performance run the edge flat with the bucket in the float position



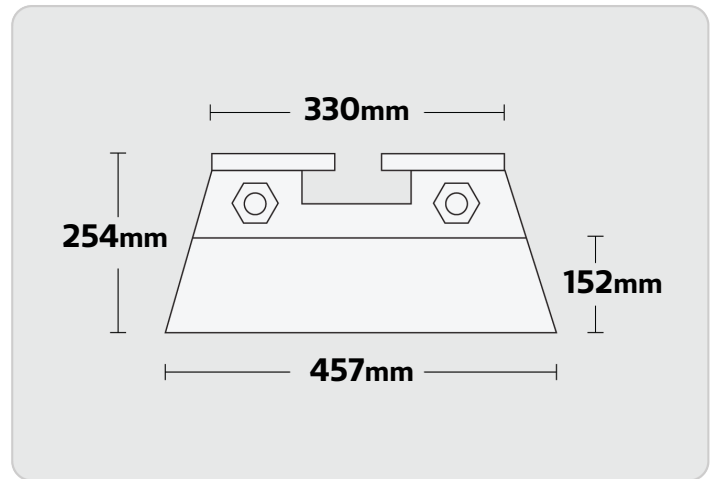
Call **0800 654 323** to order your Rubber Cutting Edges **now!**



CUTTING EDGE PROFILES

911r Pushing & Squeegeeing

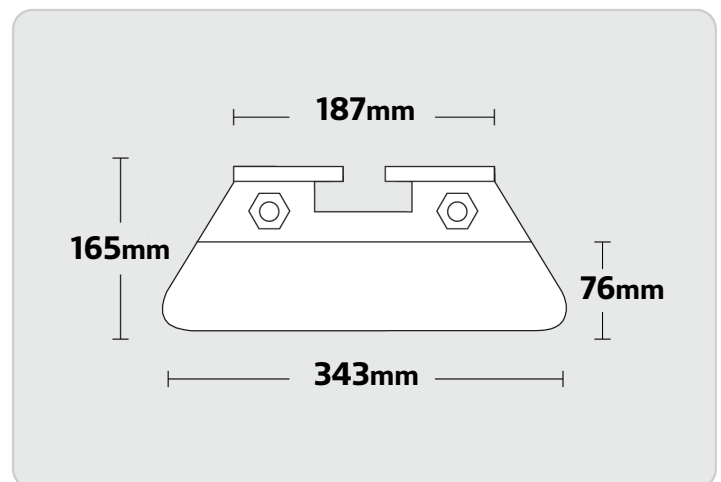
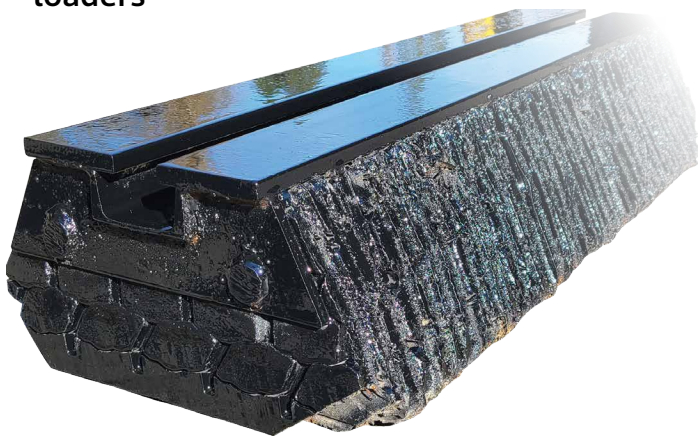
- This edge profile is designed for pushing rubbish & squeegeeing sludge off tip floors
- A flat edge profile with 152mm of wear material
- Suitable for large excavators & wheel loaders



Edge Length	Part No
965mm	RE.911R_38
1016mm	RE.911R_40
1067mm	RE.911R_42
1219mm	RE.911R_48
1295mm	RE.911R_51
1372mm	RE.911R_54

911m Pushing & Scooping

- This edge profile is designed for pushing sludge & scooping rubbish off tip floors
- A angled profile with rounded corners & 76mm of wear material
- Suitable for medium excavators & wheel loaders



Edge Length	Part No
965mm	RE.911M_38
1016mm	RE.911M_40
1067mm	RE.911M_42
1219mm	RE.911M_48

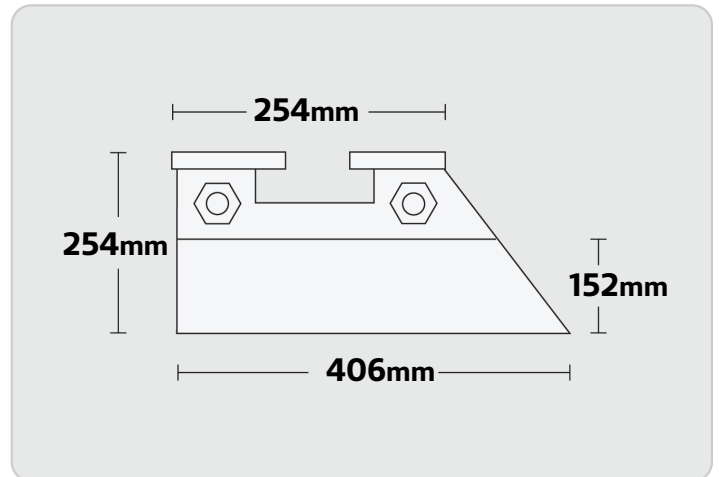
Call **0800 654 323** to order your Rubber Cutting Edges **now!**



CUTTING EDGE PROFILES

911t Scooping & Loading

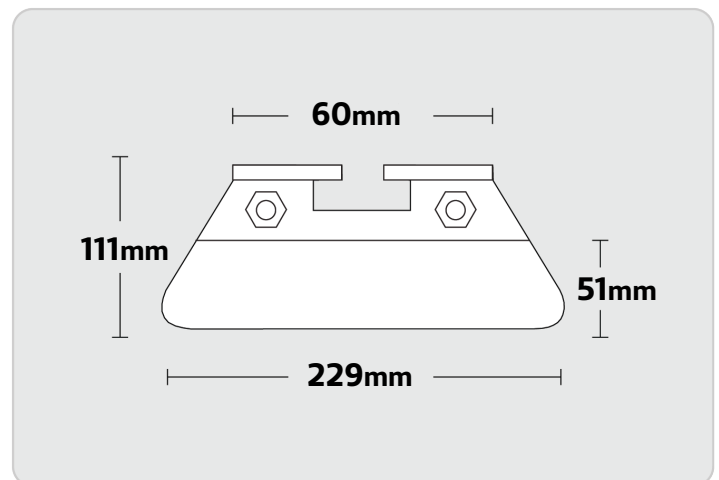
- This edge profile is designed for scooping & loading rather than pushing
- A sharper angled edge profile with 152mm of wear material
- Suitable for medium excavators & wheel loaders



Currently not a stock item but is available on indent order if required.

911s Pushing & Scooping

- This edge profile is designed for pushing sludge & scooping rubbish off tip floors
- A angled profile with rounded corners & 51mm of wear material
- Suitable for small excavators, wheel loaders & skid steer loaders



Currently not a stock item but is available on indent order if required.

Call **0800 654 323** to order your Rubber Cutting Edges **now!**



APPLICATIONS



Call **0800 654 323** to order your Rubber Cutting Edges **now!**



APPLICATIONS



Call **0800 654 323** to order your Rubber Cutting Edges **now!**





***Delivering the solutions
you need to stay
productive***



Phone us on
0800 654 323



Email us at
sales@west-trak.co.nz



Visit our Website
www.west-trak.co.nz



Head Office
32 Robertson Street
Westport, 7825



Auckland Branch
14 Hobill Ave, Wiri
Auckland, 2104

Call **0800 654 323 for your rubber edge needs!**



West-Trak
UNRIVALLED STRENGTH